

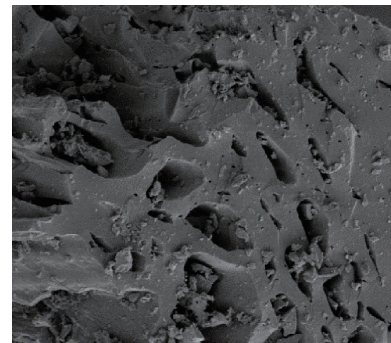
目次

专论与综述

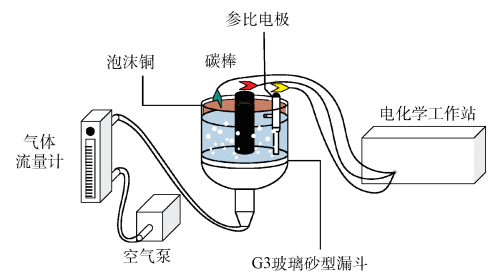
- 1 制药废水中抗生素的去除技术研究进展
张昱,唐妹,田哲,高迎新,杨敏

水污染防治

- 15 磁性还原石墨烯的制备及其对抗生素的吸附性能
李亚娟,赵传起,洪沛东,王园园,杨悦锁
- 25 氧化石墨烯改性PVDF/PET复合膜的制备及其抗污染性能
李青青,朱振亚,王磊,姜家良,徐亚伟
- 34 负载型纳米CuO/MnO₂催化剂的制备及催化氧化深度处理印染废水
杨晶,黄瑞敏,谢春生,陈磊,张碗林
- 41 热解气活化的活性炭对水体中甲萘威的吸附性能
李伟玉,李爱民
- 49 有机碳对养殖池塘沉积物中反硝化、厌氧氨氧化的影响
高美云,刘兴国,曾宪磊,陆诗敏
- 57 钛基锡铈阳极电化学氧化去除水中的四环素
智丹,王建兵,周云惠,汪东亮,龚妍熹,嵇玉仙,张峰源,王惟一
- 65 上流式Fe⁰-沸石固定床去除水中的硝酸盐氮
赵爽,王永庆,杨永愿,汪晓军
- 72 装填方式对混合床生物滤柱处理不同苯胺浓度染料废水的影响
吴丽颖,王滴,洪俊明,于永波,张倩,张圆春,柴春省
- 79 电絮凝-膜分离反应器还原-絮凝-超滤一体化处理六价铬废水
李梦琦,杨春风,赵凯,孙境求,李静,骆丽宁,胡承志
- 86 铁基催化剂催化臭氧深度处理煤化工废水
陈炜或,李旭芳,马鲁铭
- 93 响应面法对泡沫铜阴极电芬顿产H₂O₂与·OH性能优化
李国君,邱珊,朱英实,邓凤霞,马放
- 102 2种温度下污泥水富集硝化菌的对比
于莉芳,傅学焘,杨秀玲,滑思思,冯云堂
- 110 基于过碳酸钠的类Fenton体系对亚甲基蓝的降解动力学
白青青,吴小宁,王倩,李蓉
- 119 基于改进支持向量回归机的污水处理厂出水总氮预测模型
刘杰,李佟,李军



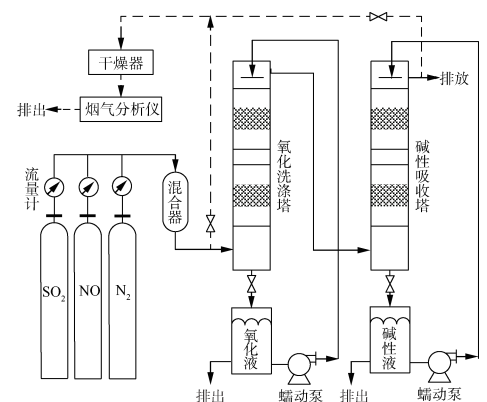
▲李伟玉等 P41



▲李国君等 P93

大气污染防治

- 127 金属改性Pd/Al₂O₃对煤矿乏风催化氧化性能的影响
刘钰琛,张军营,赵永椿,郑楚光
- 134 不同制备条件对生物焦汞吸附特性及吸附动力学的影响
贾里,李霖,徐樑,郑仙荣,乔晓磊,樊保国
- 145 纳秒脉冲电源下电晕放电去除苯乙烯
刘百良,李驰波,黄逸凡,闫克平,刘振
- 153 甲苯吸附-DBD等离子体再生循环体系
康忠利,党小庆,秦彩虹,赵军杰,郭惠
- 159 脉冲供电技术去除高阻比粉尘
丁鑫龙,王琼杰,郎佳红,吴金桃,冯德仁,潘绪超
- 164 隔膜电解海水氧化耦合吸收脱硫脱硝净化船舶尾气技术
张欢,钟鹭斌,苑志华,陈进生,郑煜铭

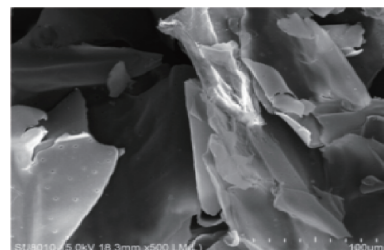


▲张欢等 P164

土壤污染防治

- 172 共存离子对EK/PRB联合修复砷污染土壤的影响
纪冬丽,张竞,孟凡生,王业耀
- 178 添加给水厂残泥对稻田土壤中毒死蜱环境赋存及厌氧降解的影响
赵媛媛,亓赞,裴元生,许友泽,付广义

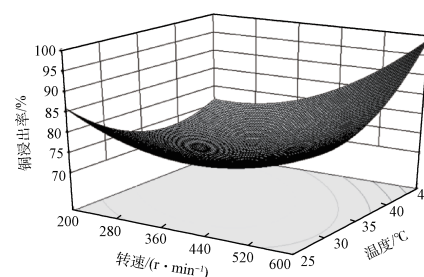
- 190 不同植物-微生物联合修复体系下石油烃的降解
刘自力,王红旗,孔德康,许洁,吴泉雄,熊樱
- 198 阿散酸在土壤中的降解与形态变化
何万领,李晓丽,杨肖娥,赵凌平,张金汉
- 206 粉砂介质包气带中甲苯蒸气挥发的迁移转化
龚亚炬,宋云,李培中,魏文侠
- 213 某废弃铀矿周边农田土壤重金属和放射性元素的风险分析和修复措施
施宸皓,梁婕,曾光明,袁玉洁,钟敏洲,张立华
- 220 干湿循环对Pb污染土固化体力学和浸出特性的影响
赵三青
- 227 模拟酸雨对磷酸二氢钾钝化污染土壤Cu、Cd、Pb和P释放的影响
李如艳,崔红标,刘笑生,周静,胡照斌,胡友彪,高良敏



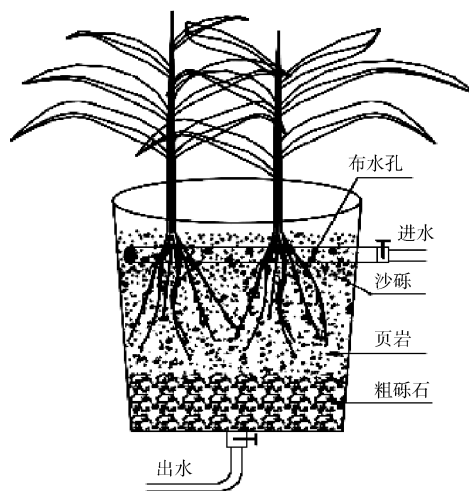
▲张超奇等 P242

固体废物处理与处置

- 235 Fenton氧化联合人工湿地处理污泥中的重金属
徐大勇,操沛沛,程维明,洪亚军,毛祥,姚巧凤
- 242 Fenton联合微波/超声波预处理凤眼莲和甘蔗渣及其酶解产糖工艺
张超奇,张丽苑,周文兵,冯伟,肖凯,杨庆
- 250 废弃印刷线路板中铜的两步浸出工艺优化
王莉莉,孙秀云,李桥,孙晓蕾,李毅,王连军
- 259 基于新型分层结构的污泥好氧堆肥处理
李云蓓,靳鹏斐,浮豪杰,王鹏博,张哲,卫栋慧,宋俊丽,吕景花
- 265 铁氧体法处理锂电池废液及其产物臭氧催化性能
陈思锦,顾卫星,周品,沈棒,徐波,孙同华
- 272 超声和无机酸浸提猪粪中的重金属
杜丽琼,刘东方,杨丹,魏孝承,黄文力
- 278 基质组分对厨余与污泥共发酵动力学特性的影响
许曼娟,李倩,张念瑞,陈荣
- 286 高蛋白含量餐厨垃圾水解真菌的筛选和应用
郝杰威,何再华,周长芳,田兴军
- 294 微生物菌剂复配及强化厨余垃圾好氧堆肥效果分析
周营,朱能武,刘博文,张太平
- 304 超高温和高温厌氧条件下聚乳酸塑料的降解
王峰
- 310 盐酸分级浸出赤泥中有价金属元素
滕春英,周康根,宁凌峰,彭长宏,何德文
- 316 液-液射流搅拌提高热水解污泥混合性能分析
曹秀芹,丁浩,蒋竹荷,袁海光
- 324 熔盐法处置高熔点垃圾焚烧飞灰重金属的浸出特性
赵鹏,景明海,刘盖,艾涛,苏兴华
- 331 智能手机线路板中贵金属资源化价值评价
吴泽兵,宋广翰,孟雯,王晓岩,苑文仪,李金惠,刘丽丽,白建峰,张承龙,王临才,王景伟
- 338 Fe(II)协同过硫酸钾改善河道底泥的脱水性能
李丹,蓝师哲,何岩,黄民生



▲王莉莉等 P250



▲孔文文等 P356

环境监测技术

- 349 垂直HDPE膜安装过程的电学破损检测方法
能昌信,孙新宇,徐亚,刘景财,董路,王茂林
- 356 人工湿地植物无损监测方法的建立与应用
孔文文,黄岁樑,刘霄,唐婷芳子

CONTENTS

- 1 **Research progress of removal technology of antibiotics from antibiotic production wastewater**
ZHANG Yu,TANG Mei,TIAN Zhe,GAO Yingxin,YANG Min
- 15 **Fabrication of magnetic reduced graphene and its adsorption performance for antibiotics**
LI Yajuan,ZHAO Chuanqi,HONG Peidong,WANG Yuanyuan,YANG Yuesuo
- 25 **Preparation and antifouling performance of graphene oxide modified PVDF/PET composite membrane**
LI Qingqing,ZHU Zhenya,WANG Lei,JIANG Jialiang,XU Yawei
- 34 **Preparation of supported nano-CuO/MnO₂ catalysts and their catalytic performance for advanced treatment of printing and dyeing wastewater**
YANG Jing,HUANG Ruimin,XIE Chunsheng,CHEN Lei,ZHANG Wanlin
- 41 **Adsorption performance of carbaryl of wastewater on activated carbons prepared by pyrolysis gas activation**
LI Weiyu,LI Aimin
- 49 **Effects of organic carbon for denitrification and anaerobic ammonium oxidation in sediments of aquaculture pond**
GAO Meiyun,LIU Xingguo,ZENG Xianlei,LU Shimin
- 57 **Electrochemical oxidation of tetracycline in aquatic environment by Ti/SnO₂-Sb anode**
ZHI Dan,WANG Jianbing,ZHOU Yunhui,WANG Dongliang,GONG Yanxi,JI Yuxian,ZHANG Fengyuan,WANG Weiyi
- 65 **Removal of nitrate nitrogen from wastewater in upstream zero-valent iron-zeolite fixed bed reactor**
ZHAO Shuang,WANG Yongqing,YANG Yongyuan,WANG Xiaojun
- 72 **Effect of loading method on treatment of dye wastewater with different aniline concentration by mixed bed biological filter**
WU Liying,WANG Di,HONG Junming,YU Yongbo,ZHANG Qian,ZHANG Yuanchun,CHAI Chunsheng
- 79 **Removal of Cr(VI) from wastewater by electrocoagulation membrane reactor based on reduction,flocculation and ultrafiltration**
LI Mengqi,YANG Chunfeng,ZHAO Kai,SUN Jingqiu,LI Jing,LUO Lining,HU Chengzhi
- 86 **Advanced treatment of coal chemical wastewater by catalytic ozonation with iron-based catalyst**
CHEN Weiyu,LI Xufang,MA Luming
- 93 **Utilization of response surface modeling to optimize hydrogen peroxide and hydroxyl radicals generation by electro-Fenton with copper-foam as cathode**
LI Guojun,QIU Shan,ZHU Yingshi,DENG Fengxia,MA Fang
- 102 **Comparison of nitrifier accumulation in sludge liquor treatment system at two different temperatures**
YU Lifang,FU Xuetao,YANG Xiuling,HUA Sisi,FENG Yuntang
- 110 **Kinetics of degradation of methylene blue in a Fenton-like system based on sodium percarbonate**
BAI Qingqing,WU Xiaoning,WANG Qian,LI Rong
- 119 **Prediction of effluent total nitrogen concentration in a wastewater treatment plant using a particle swarm optimization-support vector regression model**
LIU Jie,LI Tong,LI Jun
- 127 **Effect of Pd/Al₂O₃ modification by metal on performance of ventilation air methane catalytic oxidation**
LIU Yuchen,ZHANG Junying,ZHAO Yongchun,ZHENG Chuguang
- 134 **Effects of different preparation conditions on kinetics and adsorption of mercury by biomass char**
JIA Li,LI Ben,XU Liang,ZHENG Xianrong,QIAO Xiaolei,FAN Baoguo
- 145 **Styrene removal using corona discharge combined with nanosecond pulse power supply**
LIU Bailiang,LI Chibo,HUANG Yifan,YAN Keping,LIU Zhen
- 153 **Toluene adsorption-DBD plasma regeneration cycled system**
KANG Zhongli,DANG Xiaoqing,QIN Caihong,ZHAO Junjie,GUO Hui
- 159 **Removal of high specific resistance dust from pulsed power supply technology**
DING Xinlong,WANG Qiongjie,LANG Jiahong,WU Jintao,FENG Deren,PAN Xuchao
- 164 **Simultaneous desulfurization and denitration of ship exhaust gas by diaphragm electrolysis technology with coupled process of oxidation and absorption**
ZHANG Huan,ZHONG Lubin,YUAN Zhihua,CHEN Jinsheng,ZHENG Yuming
- 172 **Interference of coexistence ions on arsenic removal from soil by electrokinetic process coupled with permeable reaction barrier**
JI Dongli,ZHANG Jing,MENG Fansheng,WANG Yeyao

- 178 **Effect of drinking water treatment residuals on speciation and anaerobic degradation of chlorpyrifos in paddy soil**
ZHAO Yuanyuan, QI Yun, PEI Yuansheng, XU Youze, FU Guangyi
- 190 **Degradation of petroleum hydrocarbons under different plant-microbial remediation system**
LIU Zili, WANG Hongqi, KONG Dekang, XU Jie, WU Xiaoxiong, XIONG Ying
- 198 **Degradation and morphological changes of arsenic acid in soil**
HE Wanling, LI Xiaoli, YANG Xiao'e, ZHAO Lingping, ZHANG Jinhan
- 206 **Migration transformation of toluene vapor in silty sand soil vadose zone**
GONG Yaju, SONG Yun, LI Peizhong, WEI Wenxia
- 213 **Assessment of heavy metal and radionuclide pollution risk in farmland around an abandoned uranium mine and its related remediation measures**
SHI Chenhao, LIANG Jie, ZENG Guangming, YUAN Yujie, ZHONG Minzhou, ZHANG Lihua
- 220 **Effect of wetting-drying cycles on mechanical and leaching properties of solidified lead-contaminated soils**
ZHAO Sanqing
- 227 **Effects of simulated acid rain on release of Cu, Cd, Pb and phosphorus in contaminated soil immobilized by potassium dihydrogen phosphate**
LI Ruyan, CUI Hongbiao, LIU Xiaosheng, ZHOU Jing, HU Zhaobin, HU Youbiao, GAO Liangmin
- 235 **Fenton oxidation combined with constructed wetland for heavy metals treatment of sludge**
XU Dayong, CAO Peipei, CHENG Weiming, HONG Yajun, MAO Xiang, YAO Qiaofeng
- 242 **Fenton combined with microwave/ultrasonic pretreatment of *Eichhornia crassipes* and sugarcane bagasse and their sugar production by enzymatic hydrolysis**
ZHANG Chaoqi, ZHANG Liyuan, ZHOU Wenbing, FENG Wei, XIAO Kai, YANG Qing
- 250 **Optimization of two-step leaching of copper from waste printed circuit board**
WANG Lili, SUN Xiuyun, LI Qiao, SUN Xiaolei, LI Yi, WANG Lianjun
- 259 **Composting of sewage sludge based on a novel layered structure**
LI Yunbei, JIN Pengfei, FU Haojie, WANG Pengbo, ZHANG Zhe, WEI Donghui, SONG Junli, LYU Jinghua
- 265 **Ferrite process disposing lithium ion battery wastewater and ozone catalytic performance of as-prepared ferrites**
CHEN Sijin, GU Weixing, ZHOU Pin, SHENG Bang, XU Bo, SUN Tonghua
- 272 **Extraction of heavy metal from pig manure using ultrasound and inorganic acid**
DU Liqiong, LIU Dongfang, YANG Dan, WEI Xiaocheng, HUANG Wenli
- 278 **Effects of substrates components on kinetic characterization of co-digestion of food waste and waste activated sludge**
XU Manjuan, LI Qian, ZHANG Nianrui, CHEN Rong
- 286 **Screening and application of fungi on hydrolysis of high-concentrated protein food waste**
HAO Jiewei, HE Zaihua, ZHOU Changfang, TIAN Xingjun
- 294 **Effect analysis of compound microbial agents and enhancement on kitchen waste aerobic composting**
ZHOU Ying, ZHU Nengwu, LIU Bowen, ZHANG Taiping
- 304 **Poly lactide biodegradation under thermophilic and hyperthermophilic anaerobic digestion condition**
WANG Feng
- 310 **Stepwise leaching of valuable metals from red mud using hydrochloric acid**
TENG Chunying, ZHOU Kanggen, NING Lingfeng, PENG Changhong, HE Dewen
- 316 **Analysis of liquid-liquid jet agitation improving mixing performance with thermal-hydrolyzed sludge**
CAO Xiuqin, DING Hao, JIANG Zhuhe, YUAN Haiguang
- 324 **Heavy metal leaching property of high-melting point MSWI fly ash by molten salt process**
ZHAO Peng, JING Minghai, LIU Gai, AI Tao, SU Xinghua
- 331 **Assessment of precious metal value in intelligent mobile phone printed circuit boards (PCBs)**
WU Zebing, SONG Guanghan, MENG Wen, WANG Xiaoyan, YUAN Wenyi, LI Jinhui, LIU Lili, BAI Jianfeng, ZHANG Chenglong, WANG Lincai, WANG Jingwei
- 338 **Dehydration property of river sediment with combined conditioning using Fe(II)-potassium persulfate**
LI Dan, LAN Shizhe, HE Yan, HUANG Minsheng
- 349 **Electrical method to locate damage in vertical HDPE geomembrane during installation**
NAI Changxin, SUN Xinyu, XU Ya, LIU Jingcai, DONG Lu, WANG Maolin
- 356 **Establishment and application of a non-destructive method for measurement of constructed wetlands plant**
KONG Wenwen, HUANG Suiliang, LIU Xiao, TANG Tingfangzi