

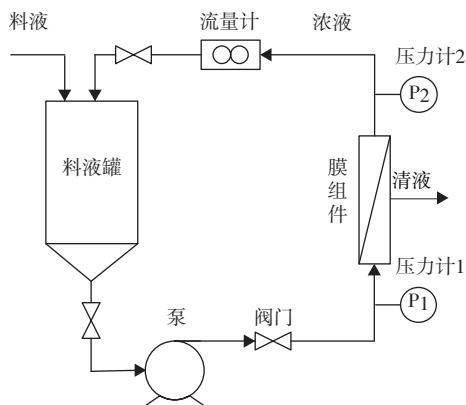
目次

专论与综述

- 985 畜禽废弃物厌氧消化过程的氨氮抑制及其应对措施研究进展
张玉秀,孟晓山,王亚炜,郁达伟,魏源送

水污染防治

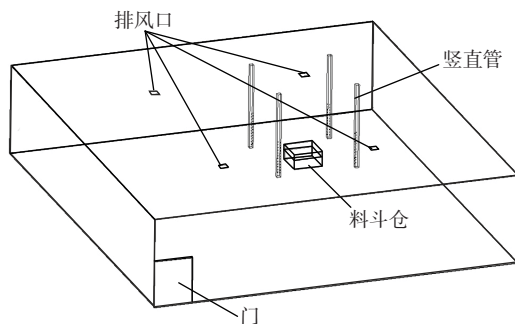
- 999 高含碳金属化球团制备及对焦化废水的处理
杨慧贤,田京雷,王兵,刘洁,琚小然,葛晶晶,任玲玲,禹青霄,禹继志
- 1007 Fenton 法处理电镀有机废水
仙光,张光明,刘毓璨,朱佳,张楠,杨安琪
- 1013 聚醚砜/改性凹凸棒杂化微球对双酚 A 的吸附性能
沈浩,余健,任文辉
- 1022 MTF-CWs 工艺对剩余污泥厌氧消化液的强化脱氮效果
苏光曦,杨永哲,张雷,方进宾,程果
- 1033 纳米铁炭微电解去除水中硝酸盐途径及其动力学
刘国,许小芳,李知可,陈西亮,徐丽莎
- 1046 超滤在乙醇厌氧沼液资源化回用中的应用
王团,薛宏光,王柯,毛忠贵,张建华



▲王团等 P1046

大气污染防治

- 1055 中试规模下蜂窝式 Mn-Ce/Al₂O₃ 脱硝催化剂的低温性能
王成志,曹鹏,颜鑫,孔伟
- 1065 实际工况下内河航行船舶 NO_x 排放测试与分析
付明亮,刘欢,贺克斌
- 1071 固定沼泽红假单胞菌构建悬浮式生物反应器对室内甲醛的去除
冯永,王茹,陈丽梅
- 1083 基于响应曲面法优化 H₂O₂/Fe³⁺ 脱除烧烟气中的 Hg⁰
李柳柳,闫伯骏,崔建升,邢奕,路培,李千里,王梦思
- 1092 不同送排风量下脱水机房竖直离子风管的通风除臭效果
陈思维,刘雪峰,杨鹏
- 1104 氧化锰共生矿烟气脱硫的机理及影响因素
袁进,江霞,刘一天,姚露,蒋文举
- 1112 基于 SCR 反应器 NO_x 均匀度测试的脱硝系统超低排放改造
李瞳
- 1120 纳米二氧化铈上活性氧物种的氧空穴团簇捕集位点
王少莘,解文,余运波



▲陈思维等 P1092

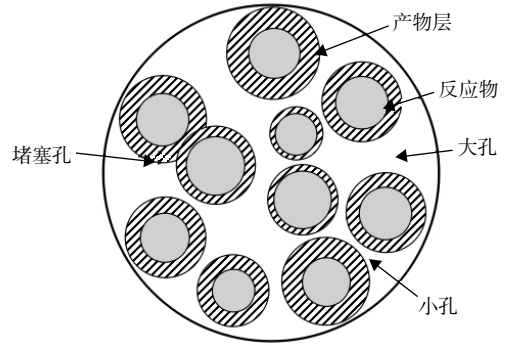
- 1128 渗透通风建筑室内颗粒物的污染特征
樊越胜,谢伟,张鑫,余俊伟,司鹏飞
- 1135 道路路障对街道峡谷内污染物扩散的影响
黄远东,侯人玮,崔鹏义
- 1148 多孔 CaO 颗粒脱硫过程中硫酸盐化特性的数值模拟
曲践,王照国,武文斐
- 1156 蒸汽相变作用下不可溶PM₁₀增长性能的数值模拟
刘定平,秦方博,黄俊钦,罗伟乐

土壤污染防治

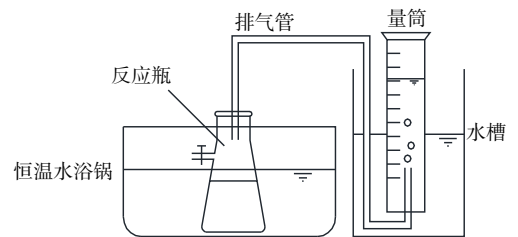
- 1164 鸟粪石负载硅藻土复合材料对土壤中锌的稳定化作用
王健,夏鹏,张志昊,王学江,赵建夫
- 1171 改性拜耳法赤泥颗粒的制备及对土壤铅的稳定化处理
杨慧珠,程乾坤,王新璋,陈惠康,张红云,黄雄飞,杨晓芳,汤叶涛,石太宏
- 1182 淹水条件下蚕沙复配材料对酸性水稻土中镉铅钝化的影响
徐蒙蒙,涂春艳,黄河,容群,李雪,覃霞,张超兰
- 1190 生物炭基调理剂对水稻镉吸收的影响
罗惠莉,王宇霖,周思,姜良军,周颖,马贵权,吴根义,杨建,姜良政
- 1198 *Pseudomonas* sp. BS-1 发酵产物对土壤中钼的淋洗作用
王维大,张达,韩剑宏,姜庆宏,李玉梅,孙鹏,张连科
- 1208 重金属污染土壤旋流洗脱设备的设计及性能评估
孙荣江,侯峰,丁焱梁,耿坤宇,杨强

固体废物处理与资源化

- 1218 厌氧消化中腐殖酸对 H₂S 产量的抑制机制
詹咏,熊丹,董滨,黄婷,王玥,张焕焕
- 1228 利用制糖副产物土壤化赤泥的效果
张林丰,任乐辉,何月田,黄建洪,胡学伟,田森林,宁平,丘锦荣
- 1237 油田油泥与煤在流化床中的混烧
林炳丞,吴平,吴丽萍,林诚乾,欧阳璐,张琦,黄群星
- 1246 连续式两相厌氧消化的产气潜能
闫强,韩文彪,陈灏,赵玉柱,高燕,步天达,徐霞
- 1254 微波预处理对剩余污泥生化处理的影响
李海兵,刘志英,林承顺,赵宗锋,徐炎华,赵贤广
- 1261 城市生活垃圾热解重整合成气计算分析
李小明,肖燕,孙钟华,李要建
- 1268 含油污泥与玉米秸秆共热解协同特性
莫榴,林顺洪,李玉,柏继松,李长江,吕全伟



▲曲践等 P1148



▲李海兵等 P1254

CONTENTS

- 985 **Research progress of ammonia inhibition and counter measures during anaerobic digestion of livestock wastes**
ZHANG Yuxiu, MENG Xiaoshan, WANG Yawei, YU Dawei, WEI Yuansong
- 999 **Preparation of high carbon-bearing pellets and research on its treating results of coking wastewater**
YANG Huixian, TIAN Jinglei, WANG Bing, LIU Jie, JU Xiaoran, GE Jingjing, REN Lingling, YU Qingxiao, YU Jizhi
- 1007 **Treatment of electroplating organic wastewater by Fenton process**
XIAN Guang, ZHANG Guangming, LIU Yucan, ZHU Jia, ZHANG Nan, YANG Anqi
- 1013 **Adsorption properties of polyethersulphone/modified attapulgite hybrid microspheres for bisphenol A**
SHEN Hao, YU Jian, REN Wenhui
- 1022 **Performance of MTF-CWs process in enhanced nitrogen removal from excess sludge anaerobic digester liquids**
SU Guangxi, YANG Yongzhe, ZHANG Lei, FANG Jinbin, CHENG Guo
- 1033 **Removal pathway of nitrate from water by nano-iron-carbon and its kinetics**
LIU Guo, XU Xiaofang, LI Zhike, CHEN Xiliang, XU Lisha
- 1046 **Application of ultrafiltration in treatment of ethanol anaerobic digestion effluent for recycling use**
WANG Tuan, XUE Hongguang, WANG Ke, MAO Zhonggui, ZHANG Jianhua
- 1055 **Low temperature performance of honeycomb Mn-Ce/Al₂O₃ denitration catalyst in the pilot-scale**
WANG Chengzhi, CAO Peng, YAN Xin, KONG Wei
- 1065 **Emission test and analysis of NO_x from inland ship under real-world operating modes**
FU Mingliang, LIU Huan, HE Kebin
- 1071 **Performance of suspension bioreactor with fixed *Rhodospseudomonas palustris* for removal of formaldehyde in indoor**
FENG Yong, WANG Ru, CHEN Limei
- 1083 **Optimization of Hg⁰ removal with H₂O₂/Fe³⁺ from sintering flue gas based on RSM model**
LI Liuliu, YAN Bojun, CUI Jiansheng, XING Yi, LU Pei, LI Qianli, WANG Mengsi
- 1092 **Ventilation and deodorizing effect of vertical ionizing air duct in dewatering room under different air supply volume and exhaust volume**
CHEN Siwei, LIU Xuefeng, YANG Peng
- 1104 **Mechanism and influence factors of flue gas desulfurization by symbiotic manganese oxides ore**
YUAN Jin, JIANG Xia, LIU Yitian, YAO Lu, JIANG Wenju
- 1112 **Ultra-low emission reconstruct of denitrification system based on NO_x uniformity test of SCR reactor**
LI Tong
- 1120 **Oxygen vacancy clusters as trapping sites for active oxygen species on nanoceria**
WANG Shaoxin, XIE Wen, YU Yunbo
- 1128 **Pollution characteristics of indoor particle matter at infiltration ventilation building**
FAN Yuesheng, XIE Wei, ZHANG Xin, YU Junwei, SI Pengfei

- 1135 **Influence of roadside barriers on pollutant dispersion within street canyon**
HUANG Yuandong, HOU Renwei, CUI Pengyi
- 1148 **Numerical simulation of sulfation characteristics of porous CaO particles during desulfurization**
QU Jian, WANG Zhaoguo, WU Wenfei
- 1156 **Numerical simulation of growth performance of insoluble PM₁₀ by vapor heterogeneous condensation**
LIU Dingping, QIN Fangbo, HUANG Junqin, LUO Weile
- 1164 **Stabilization effects of Zn in soil with struvite loaded diatomite composite**
WANG Jian, XIA Peng, ZHANG Zhihao, WANG Xuejiang, ZHAO Jianfu
- 1171 **Preparation of modified Bayer process red mud granules and stabilization treatment of lead in soil**
YANG Huizh, CHENG Qiankun, WANG Xinzhang, CHEN Huikang, ZHANG Hongyun, HUANG Xiongfei,
YANG Xiaofang, TANG Yetao, SHI Taihong
- 1182 **Effect of silkworm excrement composites on passivation of cadmium and lead in acid paddy soil under flooded condition**
XU Mengmeng, TU Chunyan, HUANG He, RONG Qun, LI Xue, QIN Xia, ZHANG Chaolan
- 1190 **Effect on absorption of Cd in rice applying biochar-based conditioner**
LUO Huili, WANG Yulin, ZHOU Si, JIANG Liangjun, ZHOU Ying, MA Guiquan, WU Genyi, YANG Jian,
JIANG Liangzheng
- 1198 **Leaching properties of thorium in soil by fermentation products of *Pseudomonas* sp. BS-1**
WANG Weida, ZHANG Da, HAN Jianhong, JIANG Qinghong, LI Yumei, SUN Peng, ZHANG Lianke
- 1208 **Design and performance evaluation of soil washing on heavy metal contaminated soil by hydrocyclone**
SUN Rongjiang, HOU Fen, DING Yanliang, GENG Kunyu, YANG Qiang
- 1218 **Inhibition mechanisms of humic acid on production of hydrogen sulfide during anaerobic digestion**
ZHAN Yong, XIONG Dan, DONG Bin, HUANG Ting, WANG Yue, ZHANG Huanhuan
- 1228 **Effect of soil-conversion red mud by using sugar by-products**
ZHANG Linfeng, REN Lehui, HE Yuetian, HUANG Jianhong, HU Xuewei, TIAN Senlin, NING Ping, QIU Jinrong
- 1237 **Co-combustion of oily sludge and coal in fluidized bed**
LIN Bingcheng, WU Ping, WU Liping, LIN Chengqian, OUYANG Lu, ZHANG Qi, HUANG Qunxing
- 1246 **Biogas production potential of continuous type two-stage anaerobic digestion**
YAN Qiang, HAN Wenbiao, CHEN Hao, ZHAO Yuzhu, GAO Yan, BU Tianda, XU Xia
- 1254 **Effect of microwave pretreatment on biochemical treatment of waste activated sludge**
LI Haibing, LIU Zhiying, LIN Chengshun, ZHAO Zongfeng, XU Yanhua, ZHAO Xianguang
- 1261 **Calculation and analysis on MSW pyrolysis and reforming for syngas**
LI Xiaoming, XIAO Yan, SUN Zhonghua, LI Yaojian
- 1268 **Synergy effect during co-pyrolysis of oily sludge and corn stalk**
MO Liu, LIN Shunhong, LI Yu, BAI Jisong, LI Changjiang, LYU Quanwei